

NV7608 8 in 8 out Alarm Box



1.General

The NV7608 alarm box is a 8 channel alarm inputs, 8 channel controllable normally open relay outputs alarm box, connected with digital video recorder to conduct single or full arm, disarm, enquiry and switch controlling function.

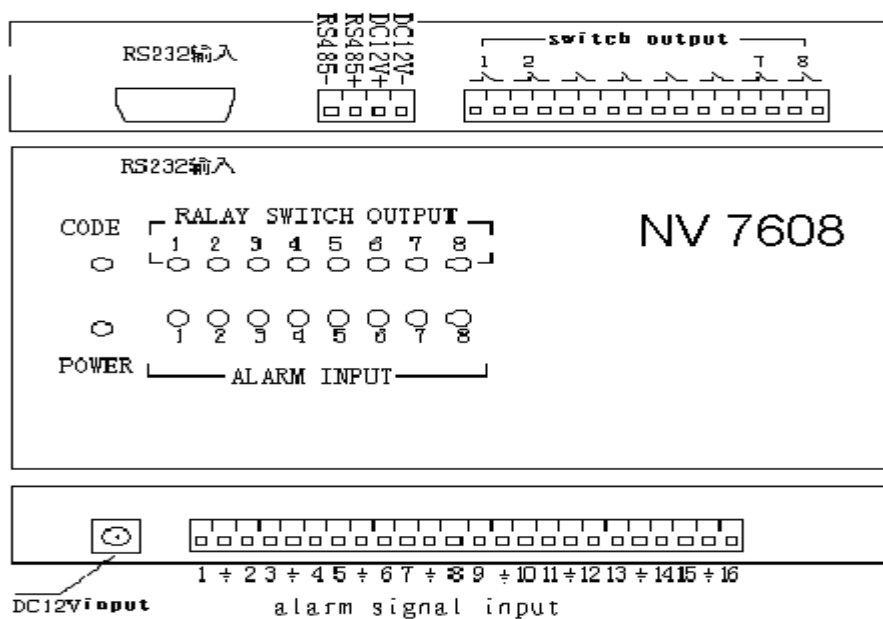
2.Main Features

- 8 channel alarm inputs, 8 channel relay outputs (NO)
- Alarm linkage function
- Watchdog function, auto reset function in strong reference environment.
- Open circuit and short circuit arm function
- Provide protocol, 16 ID setting, connect up to 128 alarm probes at maximum.

3.Specification

Power Supply	DC13.5V
Power output	DC12V/400mA
Auxiliary relay	8 normally open relay, AC220V/2A
Communication	RS485, RS232
Protocol	NV7608
Operating Environment	-10°C~70°C indoor

4. Connection Diagram



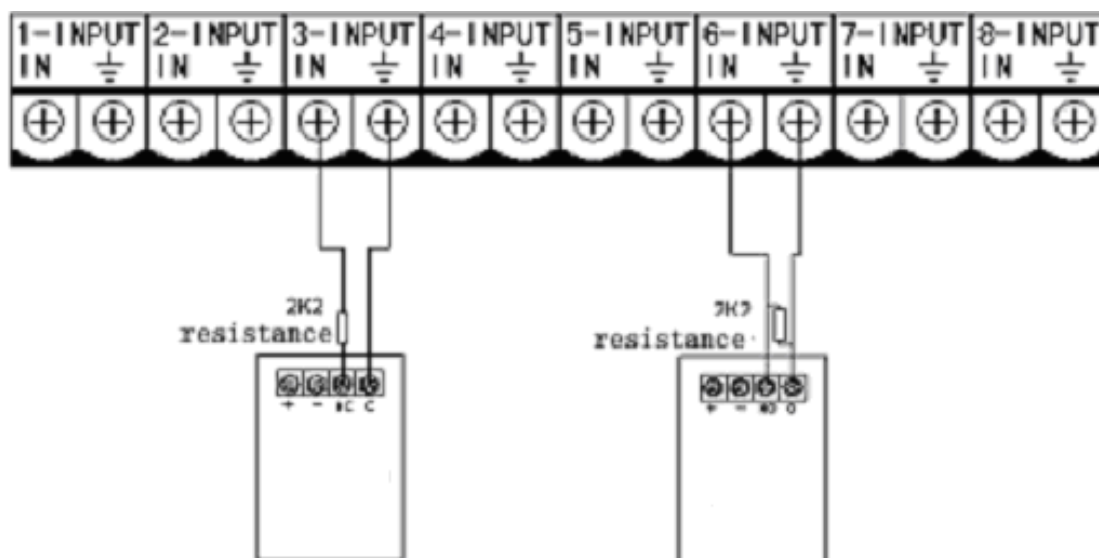
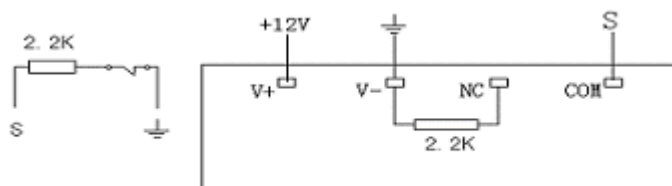
5.Board LED Indication

- Alarm out LED, light means relay closed, off means relay open
- Alarm in LED, long light means in arm setup status, blinking means arming
- Communication LED, LED blinks when the communication mode is in accordance with the host computer protocol.

6.Connection

Operate as following figure to connect alarm probe, and connect a resistance(2K) in series connection at NO contact.

S=signal, \perp =ground wire



Attachment: NV7608's setup in DVR software.

Step1.Set the DI/DO port

Step2.Set the DI/DO device is NV7608

Now, if connect the NV7608 with the computer, the code led will blinks.