

# NV9616 16 in 8 out Alarm Box



## 1.General

The NV9616 alarm box is a 16 channel alarm inputs, 8-channel controllable normally open relay outputs alarm box, connected with digital video recorder to conduct single or full arming, disarming, enquiry and switch controlling function.

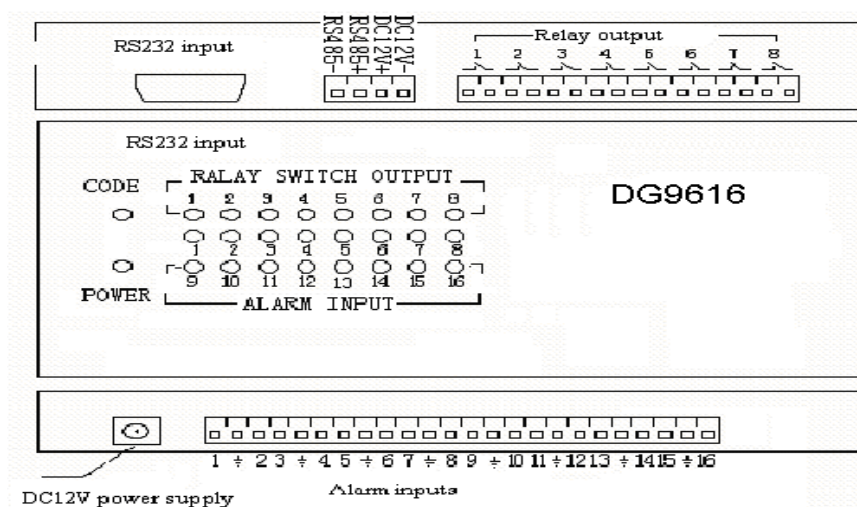
## 2.Main Features

- 16 channel alarm inputs, 8-channel relay outputs (NO)
- Alarm linkage function
- Watchdog function, auto reset function in strong reference environment.
- Open circuit and short circuit arm function
- Provide DCTRLS protocol, connect up to 256 alarm probes at maximum.

## 3.Specification

Power input	DC12V
Power output	DC12V/400mA
Auxiliary relay	8 normally open relay, AC220V/2A
Communication	RS485, RS232, 9600,N, 1
Protocol	
Operating Environment	-10°C~70°C indoor

## 4. Connection Diagram



Note: DC12V+/DC12V- is the power output terminal

## 5.Board LED Indication

- Relay switch output LED, light means relay closed, off means relay open
- Alarm in LED, long light means in alarm setup status, blinking means arming
- Communication LED, LED blinks when the communication mode is in accordance with the host computer protocol.

## 6.Connection

Operate as following figure to connect alarm probe, and connect a resistance(2.2K) in series connection at NO contact.

S is signal,  $\perp$  is ground wire

